

CBMD12

MPower 12-Channel Bypass Module

When used in conjunction with the CLMD12, the bypass module provides manual control of the loads in case of system failures. It utilizes standard fuses for overcurrent protection and 12 Carling Curvette® rocker switches for manual control of each load.

The maximum current capacity for the CBMD12 is 75 Amps in 12VDC and 24VDC power systems.

Product Highlights

- 75 Amps maximum current capacity
- Outputs
 - 12A max (two outputs)
 - 10A max (six outputs)
 - 5A max (four outputs)
- 12 & 24 VDC power systems
- Carling Technologies Curvette® Rocker switches
- Overcurrent protection via ATC standard fuses

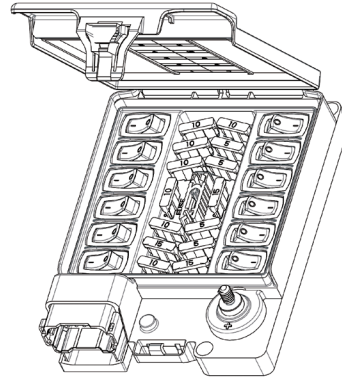
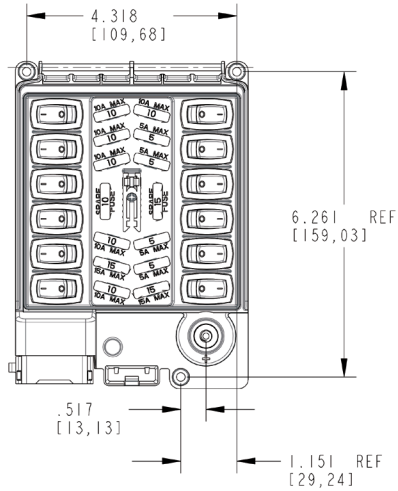


PRODUCT

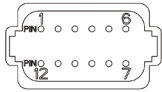
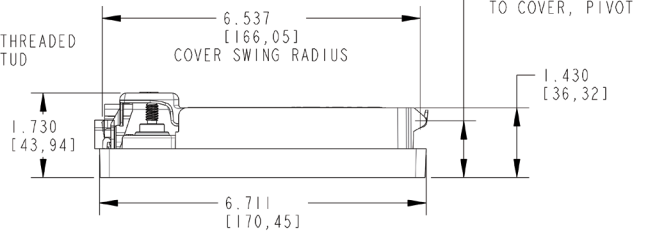
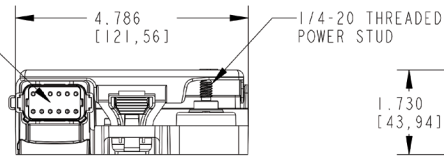
Part Number	Description
CBMD12	MPOWER 12-Channel Bypass Module

*Manufacturer reserves the right to change product specification without prior notice. Please refer to our website for the latest details.

Dimensional Specifications - in [mm]



DEUTSCH LOAD CONNECTOR



DEUTSCH LOAD CONNECTOR PIN NUMBERS

PIN #	1	2	3	4	5	6	7	8	9	10	11	12
SWITCH #	1	2	3	4	5	6	12	11	10	9	8	7
FUSE MAX RATING	10 AMP	15 AMP	10 AMP	10 AMP	10 AMP	10 AMP	10 AMP	5 AMP	5 AMP	5 AMP	5 AMP	15 AMP

System Diagram

