

PREVIEW

KODEN

GPS Compass

KGC-300

Designed for safety



Features

- ▶ IMO certified GPS Compass (THD) and GPS Navigator
- ▶ Highly accurate heading, position, and speed data
- ▶ Stable and fast tracking capability
- ▶ Esthetically pleasing 4.3-inch high resolution Color LCD
- ▶ Backup sensor built-in
- ▶ 3 heading data output ports expandable to 5 ports
- ▶ SBASS (WASS / EGNOS) enabled

SPECIFICATIONS

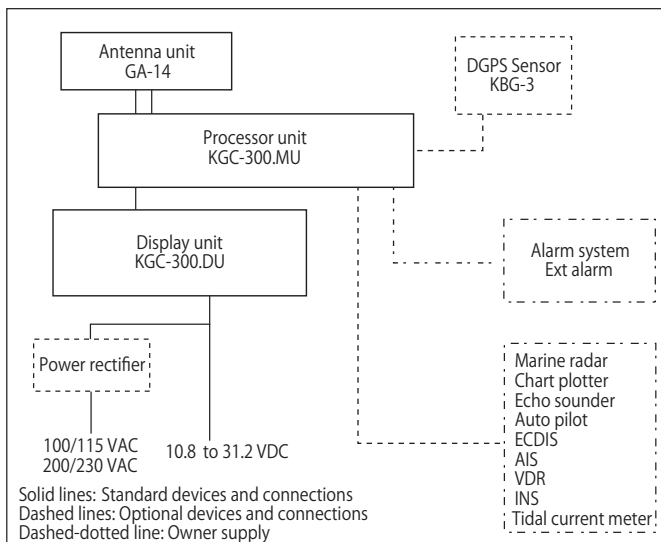
Model	KGC-300
Receiving frequency	1575.42 MHz ± 1MHz
Receiving channel	16 channel parallel
Receiving code	C/A code
Sensitivity	Better than -130 dBm
Setting time	2 minutes (at standard hot-start time)
Time to Cold start	50 sec (standard)
Position fix Warm start	45 sec (standard)
Hot start	20 sec (standard)
Accuracy Heading	0.5° rms
Position	10m 2drms (GPS), 3m 2drms (DGPS)
SOG	0.1 kt rms
HDOP ≤ 4 COG	± 3° (SOG 1-17kt) ± 1° (SOG >17kt)
Heading resolution	0.1°
Maximum rate of turn	45° / sec
Maximum roll / pitch angle	30°
Maximum follow-up acceleration	1g
Base line length	0.5m
Display size and type	4.3 inch color LCD (480×272 pixels)
Presentation modes	HDG1, HDG2, ROT, NAV1, NAV2, POB (People Over Board)
Position data display	Latitude / Longitude in increments of 0.0001 minute, Loran C LOPs conversion, Loran A LOPs conversion, Decca LOPs conversion
Navigational display	Speed, Course, Distance/Bearing to waypoint, DOP value, Present time (UTC or LTC), Satellite status, Beacon receiving status, Distance/Bearing between two points, POB display
Instant (event) memory	1,000 points
Waypoint memory	9,000 points
Route memory	100 routes reverse trail possible
Alarm	Proximity, Cross track error, CDI, Anchor watch
Position compensation	Latitude / Longitude, LOPs, Datum
Magnetic compensation	Auto / Manual
Parameters	Loran C LOPs conversion, Loran A LOPs conversion, Decca LOPs conversion, Memory of waypoints and name (up to 10 letters), Selection of measuring unit (nm, sm, km), Averaging (smooth) factor, Position mode, Beacon stations selection
Output data format and sentences	IEC 61162-1/-2, NMEA 0183 Ver.2.0 AAM, APB, ATT, BOD, BWC, DTM, HDM, HDT, HVE, GBS, GGA, GLL, GNS, GSA, GSV, MSS, RMB, RMC, ROT, RTE, THS, VTG, WPL, XTE, ZDA, PKODA, PKODG1, PKODG21, PKODG7 (ALC, ALF or ALR, HBT *DATA1 only)
Input data format	RTCM SC104 Ver.2.0 (DGPS)
Power supply	10.8 to 31.2 VDC
Power consumption	9 W or less (24 VDC)

Note: Accuracy is subject to change in accordance with DoD civil GNSS user policy.

Environmental

Operating temperature	Processor unit: -15°C to +55°C Display unit: -15°C to +55°C Antenna unit: -25°C to +55°C
Water protection	Processor unit: IPX0 Display unit: IPX4 Antenna unit: IPX6

CONNECTIONS



EQUIPMENT LIST

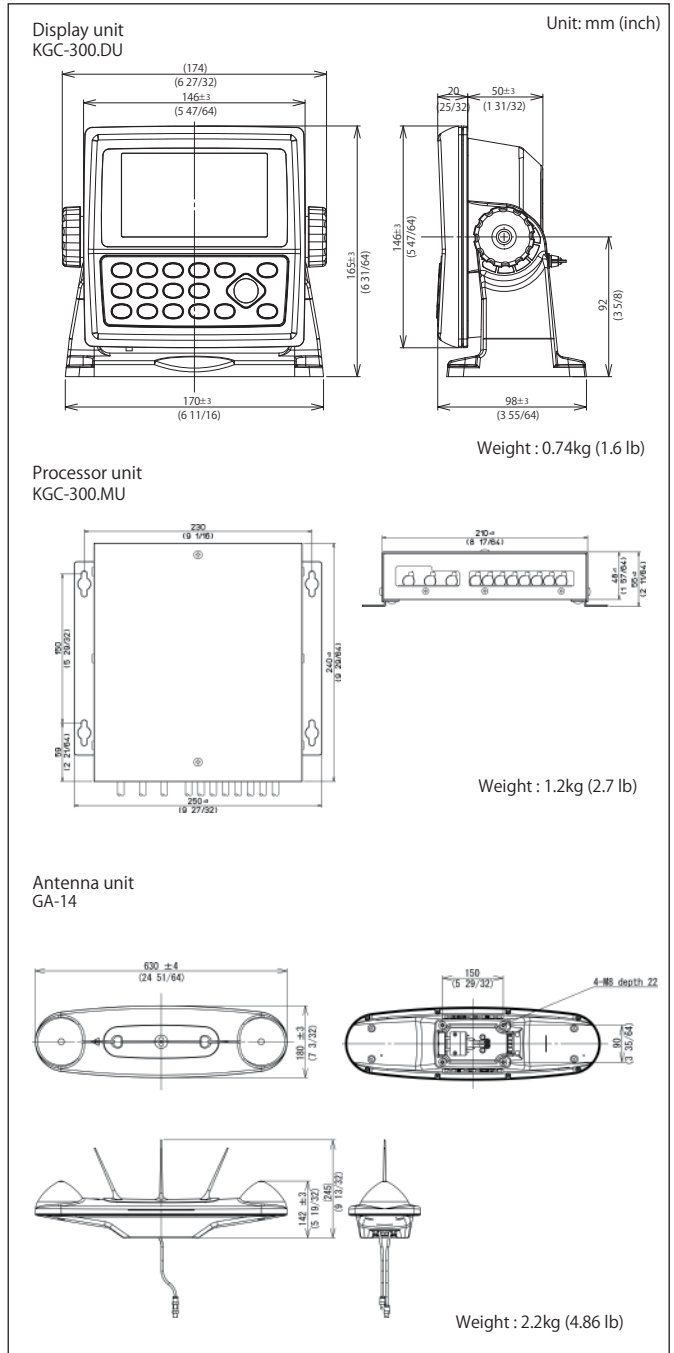
Standard Equipment

Display unit	KGC-300.DU	With mounting bracket and hard cover
Processor unit	KGC-300.MU	
Antenna unit	GA-14	With bird protector
DC power cable	CW-276-2M	With 5-pin connector and one end plain
Antenna cable	CW-392-15M	3D-2V with BNC connectors on the both sides
Connecting cable	CW-376-5M / 10M	6 pin water resistant connector and other end plain
Operation Manual, Installation material		

Options

Connecting cable, Power rectifier, AC power cable, Flush mount kit, Connector, Antenna cable extension kit, Conversion cable, Beacon receiver

DIMENSIONS AND WEIGHT



* Design and specifications are subject to change without notice.



Le spécialiste des équipements électroniques

Zac de la plaine - 1, rue Brindejonn des Moulinais
31500 TOULOUSE

Tél : +33 (0)5 67 77 94 44 - Fax : +33 (0)5 67 77 94 49

info@pst-france.fr - www.pst-france.fr