

Triplexer for proD4

The use of proFIL™ family of antenna combiners and splitters makes the design of communication system trouble free and easy. It helps in reducing the interference between communication system.



proFIL™ 1313 is a compact and high performance antenna splitter from 80 MHz up to 2.5 GHz WiFi frequency. It is designed to be used with proD4™ antenna.

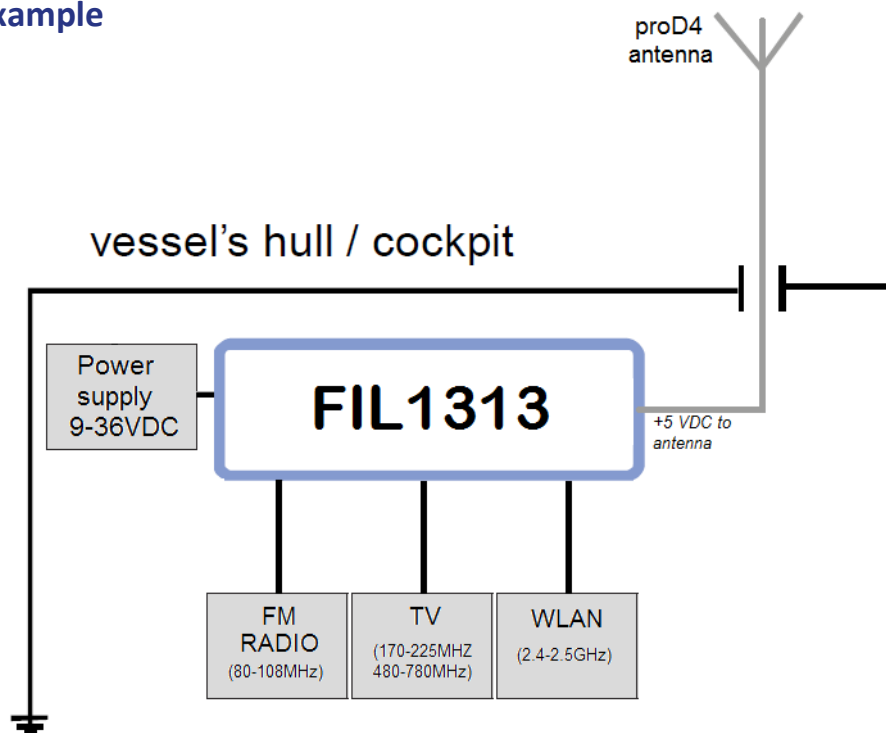
Operation

Triplexer–type of filters enables simultaneous transmission and reception within the same port.

proFIL™ 1313 is a frequency division combiner and won't create any extra splitting losses except the normal insertion loss that can be compared to small length of an antenna cable. proFIL™ 1313 splits proD4™ signal from combo-antenna to FM radio (80 MHz – 108 MHz), TV (170 MHz – 225 MHz / 480 MHz – 780 MHz) and WLAN 2.4 GHz – 2.5 GHz.

proFIL™ 1313 triplexer has also power supply feature integrated for proD4™ high performance, low-noise FM-radio and TV antennas amplifiers.

Connection example



Triplexer for proD4

Table 1 Electrical Specifications

Electrical Specifications (TA=25°C)	proFIL 1313
Antenna Port	proD4™ combo-antenna port (white) Impedance: 50 Ω Power feed: +5 VDC (max.3W) Connector: BNC-female
Radio Ports	<p>FM1: 80 MHz – 108 MHz Impedance: 75 Ω RL: > 13 dB Insertion (splitting) loss: < 1.5 dB Power: 0.1 W (Receive only) Connector: F-female</p> <p>TV: 170 MHz – 225 MHz (VHF) 480 MHz – 780 MHz (UHF) Impedance: 75 Ω RL: > 13 dB Insertion (splitting) loss: < 1.5 dB Power: 0.1 W (receive only) Connector: F-female</p> <p>WLAN: 2.4 GHz – 2.5 GHz Impedance: 50 Ω RL: > 18 dB Insertion (splitting) loss: < 1.5 dB Power: 0.1 W Connector: TNC-female</p>
Power Input	9-36VDC, galvanic isolated from antenna port Current consumption: 65 mA at 12V (in proD4 use)
Port Isolation (between outputs)	> 40 dB
Resistance to ground	Body grounded with coax shields, antenna port shield and radio port shields in common potential. Power supply isolated from the RF-circuitry, connectors and chassis.

Table 2 Mechanical and Environmental properties

Mechanical properties (TA=25°C)	proFIL 1313
Dimensions	height: 30mm width: 119mm depth: 110mm
Weight	about 350g
Material	Aluminium body
Ingress protection	none
Mounting	wall mounting flanges with M4 holes
Standards	All proFIL™ products are to the standard of IEC60945 to insure safe operation in the environment on relevant parts. Some of the criteria is operating temperature, storage temperature, humidity, vibration, electromagnetical compatibility.



Le spécialiste des équipements électroniques

Zac de la plaine - 1, rue Brindejone des Moulinais
31500 TOULOUSE
Tél : +33 (0)5 67 77 94 44 - Fax : +33 (0)5 67 77 94 49
info@pstfrance.com - www.pstfrance.com