

# VMM Series

## Contura® Digital Switch Module, 6 Rocker



The VMM6 is a sealed multiplexed, digital switch module featuring the Carling V-Series Contura® Rocker Switches. Well known for their cutting-edge design, high quality, maximum performance and unmatched reliability, the VMM6 Series reduces the complexity and cost of traditional wiring harnesses, increases product life and reliability, and reduces installation time. Available in six simple configurations, VMM6 is a plug-and-play solution that delivers switching technology at a very attractive price point.

For customers that want the option to source aftermarket actuators, we offer two versions of the VMM6 without actuators (Part numbers A3801-5, A3801-6).

### Product Features

- NMEA 2000® CAN Protocol
- IP68 Front Panel Sealing Protection
- Configurable
- Horizontal or Vertical Mounting Options
- Aftermarket Actuators Available
- LED Feedback of Circuit State
- Low Current Switching
- Tactile and Audible Feedback

### Front View

#### SEALING PROTECTION

Fully sealed IP68 front panel (when connected)



#### CUSTOMIZABLE ICONS

Choose from our standard selection of icons, or customize your own. Consult the factory for additional options.

#### ROCKERS

Variety of Carling V-Series Contura® actuators

### Back View

#### SEALING PROTECTION

Fully sealed IP68 back panel when connected and mating plug installed (included).



#### SNAP-IN MOUNTING

For fast, easy assembly

#### 4 PIN CONNECTOR

The included mating plug must be installed to meet IP68 Rating for back panel.

#### 6 PIN CONNECTOR

Mates to the VMM to NMEA 2000 Adapter Cable

### VMM to NMEA 2000® Adapter Cable - .2m (A3702)

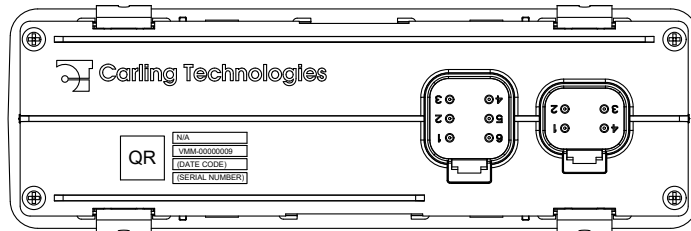
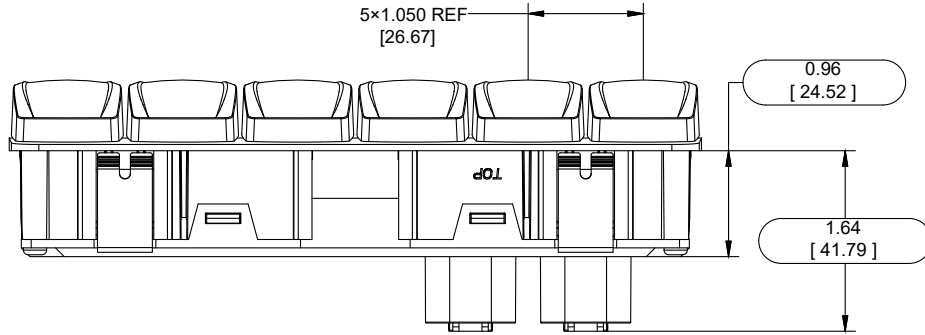
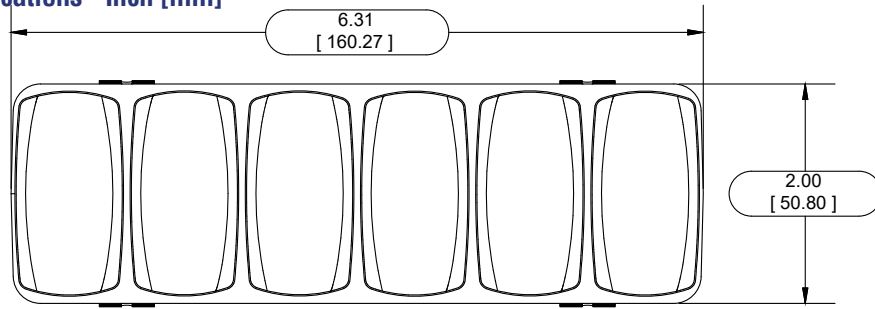


### PRODUCTS

PART NUMBER	DESCRIPTION
A3801-1	Contura II (ALL Position Momentary ON) w/A3702
A3801-2	Contura II (Right Switch 3-Position) w/A3702
A3801-3	Contura V (All Positions Momentary ON) w/A3702
A3801-4	Contura V (Right Switch 3-Position) w/A3702
A3801-5	No Actuators (ALL Positions Momentary ON) w/A3702
A3801-6	No Actuators (Right Switch 3-Position) w/A3702

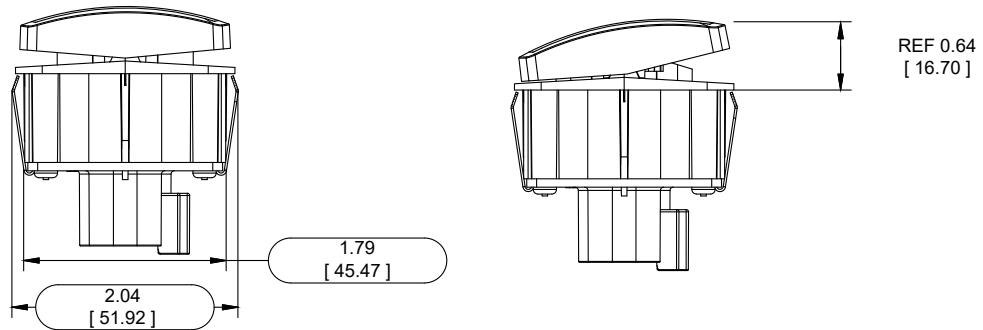
PART NUMBER	DESCRIPTION
A3702	VMM to NMEA 2000® Adapter Cable - .2m
A3702-1	VMM to NMEA 2000® Adapter Cable - 1m
A3702-2	VMM to NMEA 2000® Adapter Cable - .2m (90° Deutsch Connector)
A3702-3	VMM to NMEA 2000® Adapter Cable - 1m (90° Deutsch Connector)

**Dimensional Specifications - Inch [mm]**

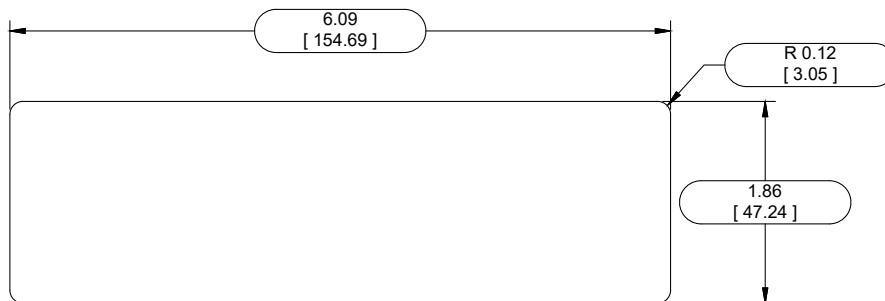


BUILT-IN RECEPTACLES COUPLE WITH DEUTSCH DT SERIES 4 AND 6 POSITION PLUGS  
  
(4 POSITION RECEPTACLE RESERVED FOR FUTURE USE, PLUG INCLUDED)

**POSITION RECEPTACLE**



**REQUIRED MOUNTING PANEL CUTOUT SIZE:**



MINIMUM PANEL THICKNESS: 0.06 [1.57]



**Le spécialiste des équipements électroniques**

Zac de la plaine - 1, rue Brindejonc des Moulinais  
31500 TOULOUSE  
Tél : +33 (0)5 67 77 94 44  
info@pst-france.fr - www.pst-france.fr